

4

3

2

1

D

D

C

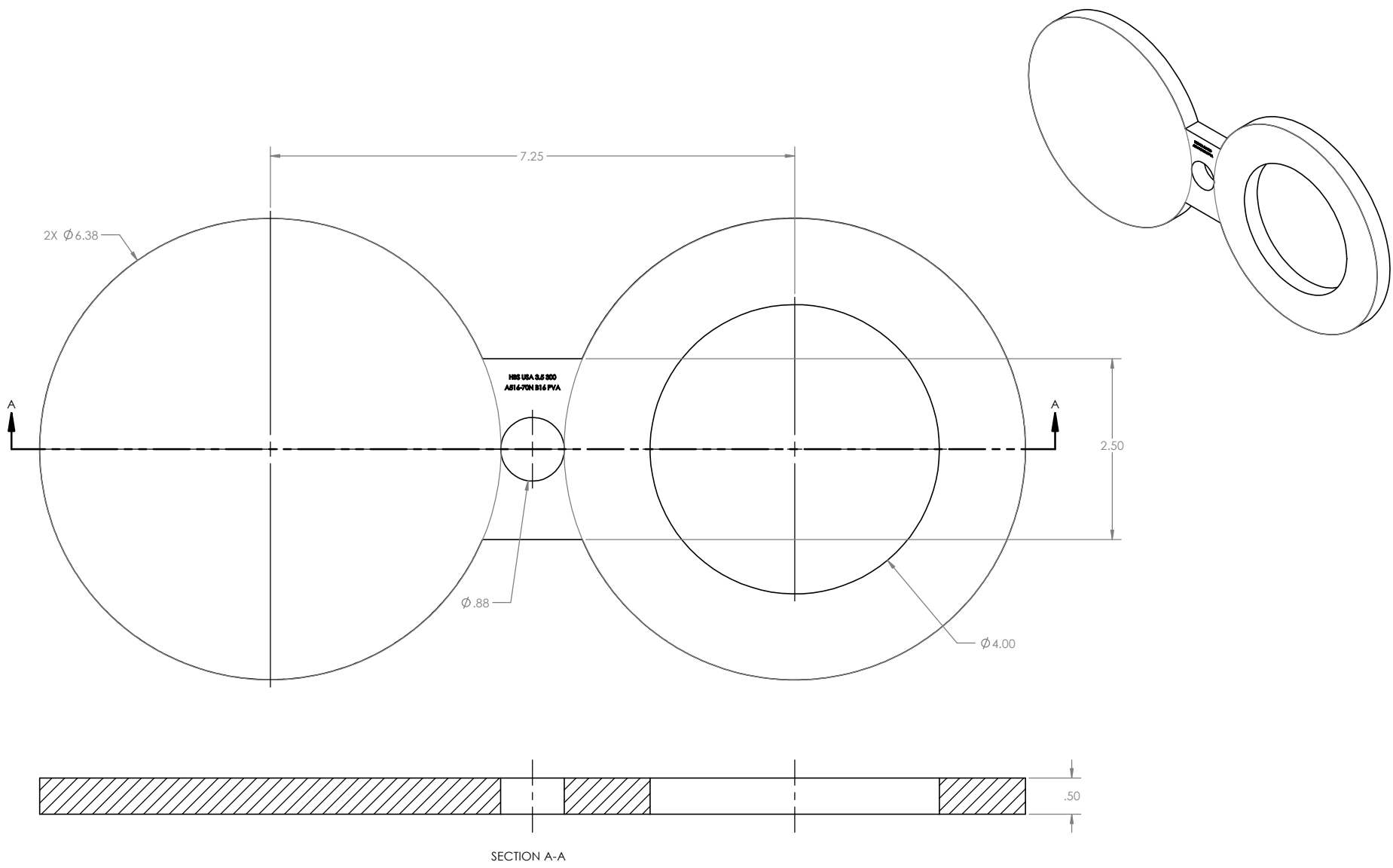
C

B

B

A

A



SECTION A-A

DO NOT SCALE PRINT		UNLESS OTHERWISE SPECIFIED: OUTSIDE DIAMETER: (+/-0.12) INSIDE DIAMETER: (+/-0.12) THICKNESS TOLERANCES (-ZERO +0.12) ALL UNITS IN INCHES OR POUNDS		HYDROBLIND -ISOLUTIONS
MATERIAL: CUSTOMER REQUESTED		SHEET 1 OF 1		
DATE: 06/24/2020		DIMENSIONS & TOLERANCES TO BE IN ACCORDANCE WITH ASME B16.48		WEIGHT 7 lb
SCALE 1:1.2	SIZE C	DRAWING NUMBER: 3SBN		REV 00
DRAWING TITLE: 3-1/2 CL 300 FIGURE 8 BLIND				

4

3

2

1